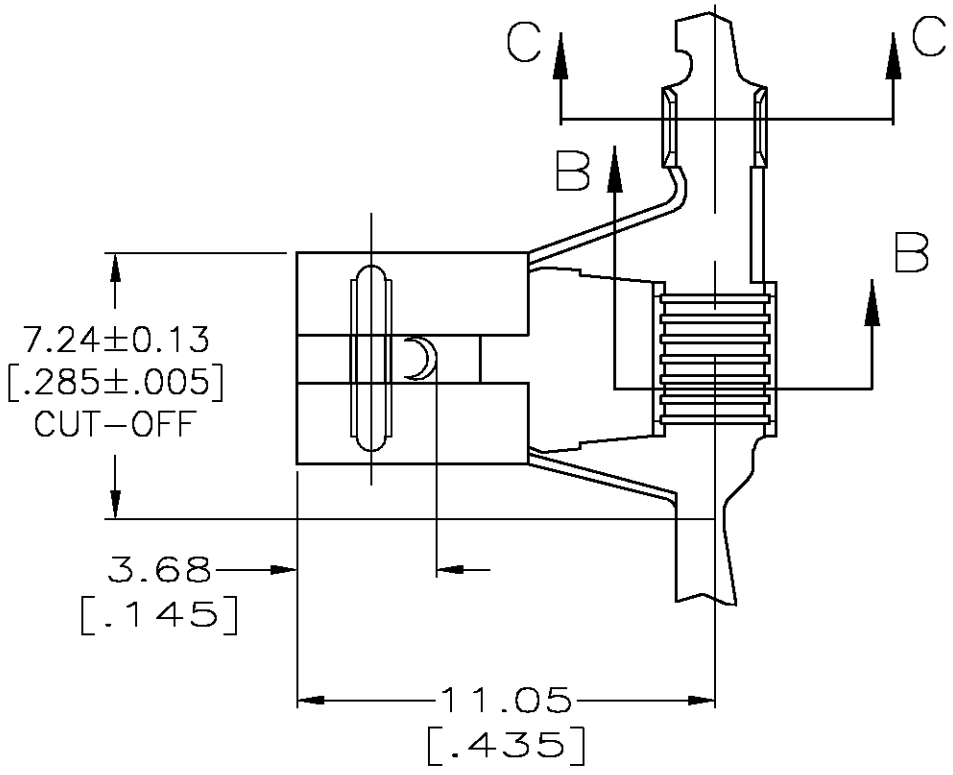
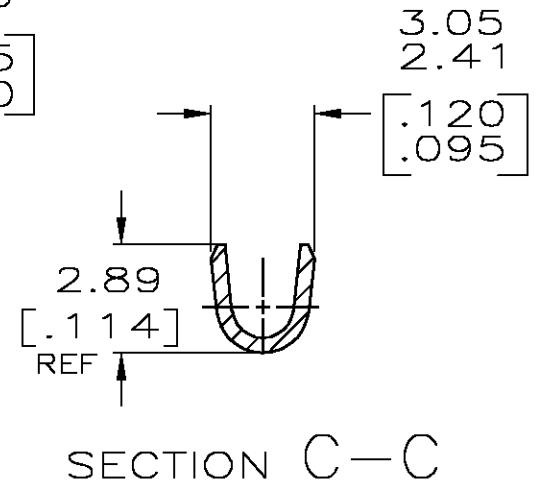
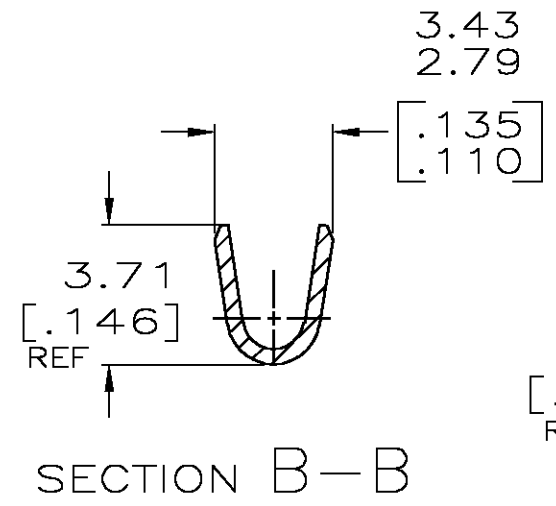
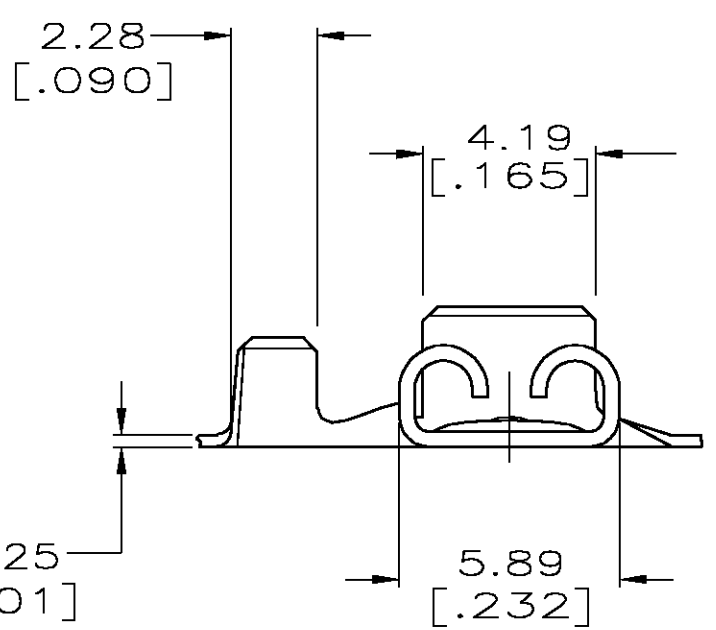
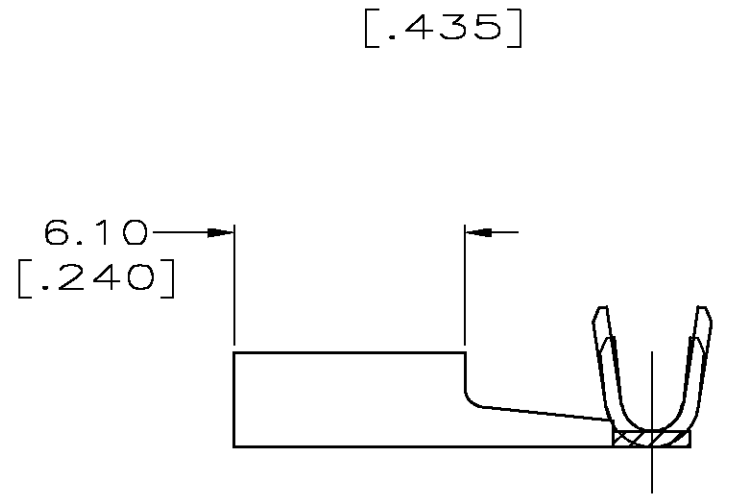


THIS DRAWING IS UNPUBLISHED. RELEASED FOR PUBLICATION
 © COPYRIGHT BY TYCO ELECTRONICS CORPORATION. ALL RIGHTS RESERVED.

LOC	DIST	REVISIONS			
P	LTR	DESCRIPTION	DATE	DWN	APVD
AF	50	D	REV PER 0G3A-0375-03	22JUL03	JR PD



- 1 CONTINUOUS STRIP ON REELS.
- 2 ACCEPTS MAGNET WIRE RANGES 2000-4050 CMA.
- 3 MATING TAB THK TO BE 0.81±0.025 [.032±.001].
- △ 4 0.002032 [.000080] MIN TIN



1217417-1
PART NO.

THIS DRAWING IS A CONTROLLED DOCUMENT.		DWN JR RUTH 18MAY00	Tyco Electronics Corporation Harrisburg, PA 17105		
DIMENSIONS: MM		CHK MS FEHER 18MAY00			
TOLERANCES UNLESS OTHERWISE SPECIFIED:		APVD P DESANTIS 18MAY00	NAME RECEPTACLE, FASTON, FLAG, AMPLIVAR, 4.75 [.187] SERIES		
0 PLC ± - 1 PLC ± - 2 PLC ± 0.25 [.010] 3 PLC ± - 4 PLC ± - ANGLES ± -		PRODUCT SPEC -	SIZE A3	CAGE CODE 00779	DRAWING NO C-1217417
MATERIAL H04 BRASS		FINISH - △ 4	APPLICATION SPEC -	RESTRICTED TO -	SCALE 5:1
CUSTOMER DRAWING			SHEET 1	OF 1	REV D